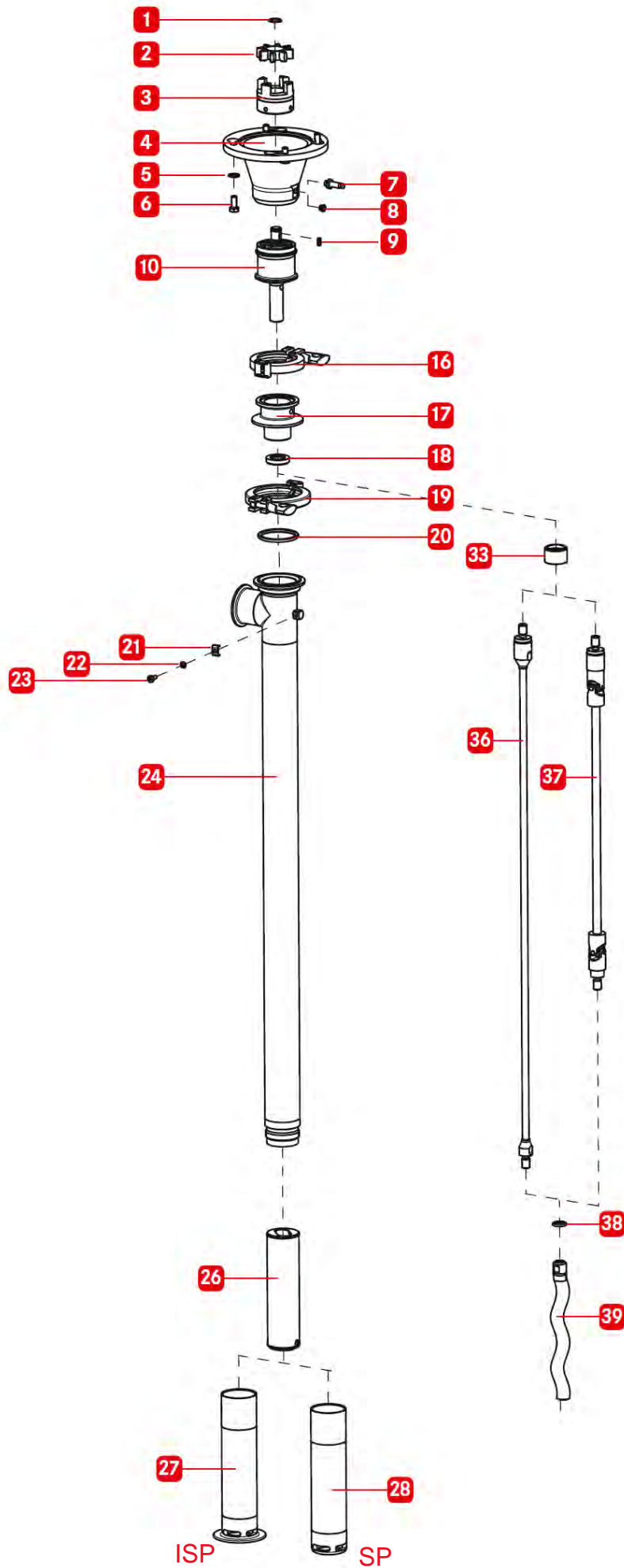


VISCOPOWER F580 FOOD/FDA

Spare parts list - Exploded view



More than just pumps



Type Code Position	1	2	3	4	5	6	7	8	9	10	11	12
Type Code	F570	N.A.	N.A.	400	FKMo	FKM	CP	TS	R17	NBR	FX	N.A.
	F580	FOOD	Ex	700	FKMc	FFKM	SP	CS	R33	FKM	G7L	RC
	--	3A	--	1000	FFKMc	NBR	ISP	--	R52	PTFE	G16	--
	--	--	--	1200	--	--	--	--	--	--	G16L	--
	--	--	--	1500	--	--	--	--	--	--	--	--

Position	Meaning	Type Code	Explanation
1	Type	F570	Gearbox version
		F580	Motor flange version
2	Application	N.A.	Industrial model
		FOOD	Compliant EC/CE 1935/2004 & FDA CFR 21
		3A	3A Certification
3	Hazardous area	N.A.	Not for use in explosion proof areas
		Ex	ATEX approved for use in explosion proof areas
4	Immersion length	400	16" (400mm)
		700	27" (700mm)
		1000	39" (1,000mm)
		1200	47" (1,200mm)
		1500	60" (1,500mm)
5	Mechanical seal	FKMo	Mechanical seal w/open design
		FKMc	Mechanical seal w/closed design
		FFKMc	Mechanical seal w/closed design
6	Seal o-rings	FKM	FKM
		FFKM	FFKM
		NBR	NBR
7	Stator housing	CP	Clamped connection
		SP	Standard suction protection
		ISP	inliner suction protection
8	Shaft	TS	Torsion shaft
		CS	Cardan shaft
9	Rotor/stator geometry	R17	R17 (17 ml/rev displacement)
		R33	R33 (33 ml/rev displacement)
		R52	R52 (52 ml/rev displacement)
10	Stator material	NBR	NBR white
		FKM	FKM black
		PTFE	PTFE
11	Motor interface	FX	Motor flange for asynchronous motors
		G7L	Gearbox version single-stage w/anti-rotation device
		G16	Gearbox version double-stage
		G16L	Gearbox version double-stage w/anti-rotation device
12	Speed sensor	N.A.	Without speed sensor
		RC	With speed sensor

VISCOPOWER F580 FOOD/FDA

Spare parts list



More than just pumps

Position	Description	Type Code	Part Number
1	Circlip	F580	11-00000175
2	Coupling insert	F580	10-62014004
3	Coupling complete	F580	11-00000092
	Coupling complete with magnets for impulse generator	F580 RC	11-00000095
4	Motor flange for asynchonus motor incl pos. 1, 5, 6, 9, 10, 16, 17 & 19	F580	11-00000003
5	Washer	F580	11-00000173
6	Hexagon cap screw	F580	11-00000219
7	Impulse generator	F580 RC	11-00000097
8	Screw plug	F580	11-00000098
9	Adjusting spring	F580	11-00000174
10	Bearing cpl	F580	11-00000004
16	Hinged clamp	All	10-55024376
17	Flange w/seal carrier	All	11-00000016
18	Included with pos. 32 & 33	--	--
19	Hinged clamp	All	11-00000176
20	O-ring NBR black	NBR	11-00000080
	O-ring FKM green	FKM	11-00000081
	O-ring FFKM black	FFKM	11-00000082
21	Sheet for equipotential bonding	Ex	10-90974000
22	Spring washer	Ex	10-90975002
23	Countersunk screw	Ex	10-90074005

Position	Description	Type Code	Part Number
24	Pump tube 27" (700mm) w/2" tri-clamp outlet port	FOOD 700 SP/ISP	11-00000059
	Pump tube 39" (1,000mm) w/2" tri-clamp outlet port	FOOD 1000 SP/ISP	11-00000060
	Pump tube 47" (1,200mm) w/2" tri-clamp outlet port	FOOD 1200 SP/ISP	11-00000061
	Pump tube 60" (1,500mm) w/2" tri-clamp outlet port	FOOD 1500 SP/ISP	11-00000062

Position	Description	Type Code	Part Number
26	Stator R17 NBR white	R17 NBR	11-00000031
	Stator R17 PTFE	R17 PTFE	11-00000033
	Stator R17 PTFE w/ATEX approval	Ex R17 PTFE	11-00000034
	Stator R33 NBR white	R33 NBR	11-00000035
	Stator R33 PTFE	R33 PTFE	11-00000037
	Stator R33 PTFE w/ATEX approval	Ex R33 PTFE	11-00000038
	Stator R52 NBR white	R52 NBR	11-00000039
	Stator R52 PTFE	R52 PTFE	11-00000041
	Stator R52 PTFE w/ATEX approval	Ex R52 PTFE	11-00000042

Position	Description	Type Code	Part Number
27	Stator housing with inliner suction protection	FOOD ISP	11-00000147
28	Stator housing standard suction protection	FOOD SP	11-00000145

Position	Description	Type Code	Part Number
33	Mechanical seal, closed, SiC/SiC/FKM 217 PSIG (15 bar) max incl pos. 18	FOOD FKMc	11-00000101
	Mechanical seal, closed, SiC/SiC/FFKM 217 PSIG (15 bar) max incl pos. 18	FOOD FFKMc	11-00000103

VISCOPOWER F580 FOOD/FDA

Spare parts list



More than just pumps

Position	Description	Type Code	Part Number
36	Torsion Shaft 27" (700mm) for closed mechanical seal	700 FKM/FFKMc TS	11-00000131
	Torsion Shaft 39" (1000mm) for closed mechanical seal	1000 FKM/FFKMc TS	11-00000132
	Torsion Shaft 47" (1200mm) for closed mechanical seal	1200 FKM/FFKMc TS	11-00000133
	Torsion Shaft 60" (1500mm) for closed mechanical seal	1500 FKM/FFKMc TS	11-00000134
37	Cardan Shaft 16" (400mm) for closed mechanical seal	400 FKM/FFKMc CS	11-00000125
	Cardan Shaft 27" (700mm) for closed mechanical seal	700 FKM/FFKMc CS	11-00000126

Position	Description	Type Code	Part Number
38	O-ring NBR black	NBR	11-00000084
	O-ring FKM green	FKM	11-00000085
	O-ring FFKM black	FFKM	11-00000086

Position	Description	Type Code	Part Number
39	Rotor R17	R17	11-00000020
	Rotor R17 w/ATEX approval	Ex R17	11-00000021
	Rotor R33	R33	11-00000022
	Rotor R33 w/ATEX approval	Ex R33	11-00000024
	Rotor R52	R52	11-00000025
	Rotor R52 w/ATEX approval	Ex R52	11-00000027

FLUX PUMPS CORPORATION
 300 Townpark Drive, Suite 130
 Kennesaw, GA 30144, USA
 Phone 800-367-3589
info@fluxpumpsusa.com
www.fluxpumpsusa.com